

DMX 512 Decoder Series



CE RoHS

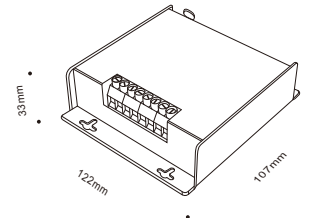
Specifications

Model:	DE8358		
Input Voltage:	DC12-24V	Max output Power:	480W(12V)/960W(24V)
Max current Load:	10A*4CH Max 40A	Frequency:	500Hz/5000Hz
Control channels:	4CH	Signal Input:	DMX512/1990
Protection Grade:	IP20	DMX512/PWM Socket:	RJ45/XLR/Green terminal
Gross Weight:	400g	Work Temp.:	-30°C~70°C

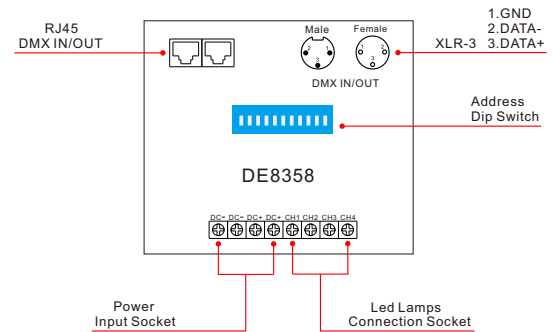
Basic Features

- Meets DMX512/1990, with RJ45 interface and XLR to choose.
- 256-levels brightness, full-color with driver controls.
- Can achieve asynchronous color changes effect under working with controller.
- Setting the DMX address freely by Dip Switch.
- Can be matched with different LED module neatly.

Dimensions

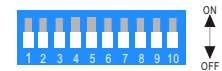


Component Diagram



Product Operation

Self-testing Mode: put all DIP-Switch NO.1 to NO.9 ON
full channels output 3 seconds
then each color gradient.

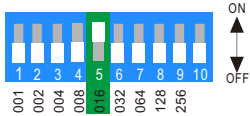


Wiring Diagram

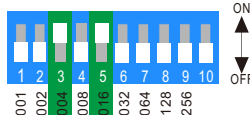
How to set DMX address via DIP switch:

DMX address value = the total value of (1-9) to get the place value when in "on" position otherwise will be 0.

E.g. 1 : Set Initial Address to 16.

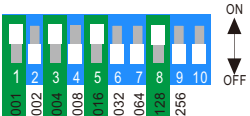


E.g. 2 : Set Initial Address to 20.



$004+016=20$

E.g. 3 : Set Initial Address to 149.

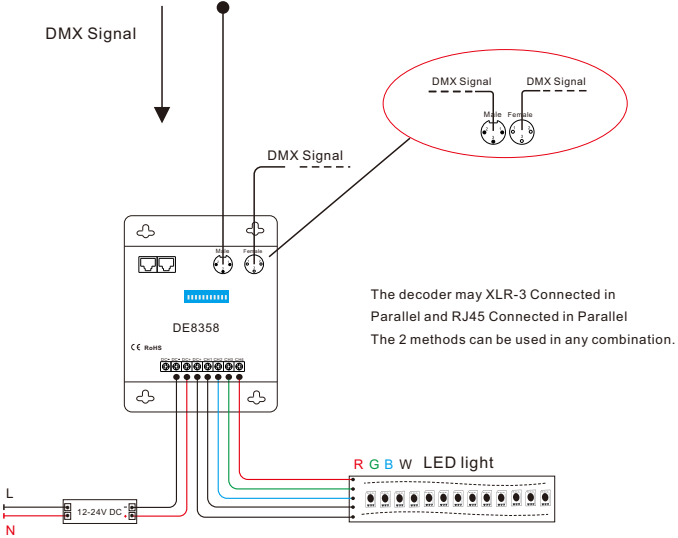


$001+004+016+128=149$

DMX Dimming Instruction:

Each DE8358 DMX decoder occupied 4 DMX addresses when connecting the DMX console. E.g., the defaulted initial address is 1, please find their corresponding relationships in the form.

DMX Console	DMX Decoder
CH1 0-255	CH1 PWM 0-100% (LED R)
CH2 0-255	CH2 PWM 0-100% (LED G)
CH3 0-255	CH3 PWM 0-100% (LED B)
CH4 0-255	CH4 PWM 0-100% (LED B)



The decoder may XLR-3 Connected in Parallel and RJ45 Connected in Parallel. The 2 methods can be used in any combination.

An amplifier is needed when more than 32 decoders are connected. signal amplification should not be more than 4 times continuously. DMX5000 output and DE8358's transmission lines can't be over 300 meters.

Suitable lamps and lanterns

